

Measuring Low Resistance Devices with High Current Using the 2460 SourceMeter® SMU Instrument

APPLICATION NOTE



KEITHLEY
A Tektronix Company

Tektronix®

Introduction

Low resistance measurements offer a good way to identify resistance elements that have changed over time. Often, these types of measurements are used to evaluate if a device or material has degraded due to environmental factors like heat, fatigue, corrosion, vibration, etc. For many applications, these measurements are typically lower than 10Ω . A change in resistance value is often the best indicator of some form of degradation between two points of contact. Low resistance measurements performed using high currents are commonly used to evaluate high power resistors, circuit breakers, switches, bus bars, cables and connectors, and other resistance elements.



Most digital multimeters (DMMs) lack the ability to make low resistance measurements with high currents. A DMM combined with a power supply will work, but these instruments must first be integrated into a system in order to automate the measurement process, then the resistance must be calculated manually.

Source Measure Unit (SMU) instruments or SourceMeter® instruments can simplify making low resistance measurements with high current stimulus. A SourceMeter instrument is capable of sourcing and measuring both current and voltage. Keithley's Model 2460 High Current SourceMeter SMU Instrument has the flexibility to source/sink high current and measure voltage and current, making it a perfect solution for measuring low resistance devices that require stimulus currents up to 7A. The Model 2460 automatically calculates

the resistance, so there's no need to make the calculation manually. Built-in features such as remote sensing and offset compensation help optimize low resistance measurements. The Model 2460 offers $<1\text{m}\Omega$ resolution.

Low resistance measurements can be made using either the Model 2460's front-panel or rear-panel terminals, as shown in **Figures 1 and 2**. Note that either the front-panel terminals or rear-panel terminals must be used—the connections can't be mixed.

When the leads are connected to the device under test (DUT), note that the FORCE LO and SENSE LO connections are attached to one of the DUT leads and the FORCE HI and SENSE HI connections are attached to the other lead. The sense connections should be connected as close to the resistor under test as possible. This four-wire measurement cancels out the resistance of the test leads in the measurement.

Figure 1 illustrates the front-panel connections, which can be made with four insulated banana cables that are rated to the maximum current (7A), such as two sets of Keithley's Model 8608 High-Performance Clip Lead Set.

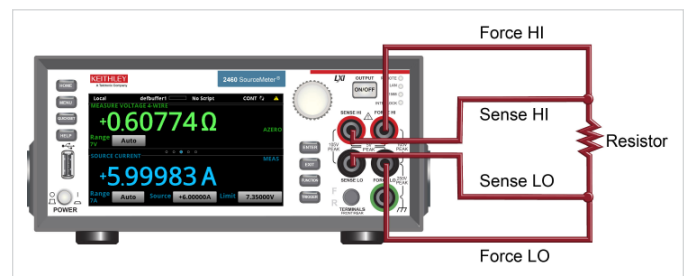


Figure 1. Model 2460 front-panel connections for low resistance measurements

Figure 2 illustrates the rear-panel connections, which can be made with either the Model 2460-KIT Screw-Terminal Connector Kit (included with the Model 2460) or a Model 2460-BAN Banana Test Leads/Adapter Cable with appropriate cabling.

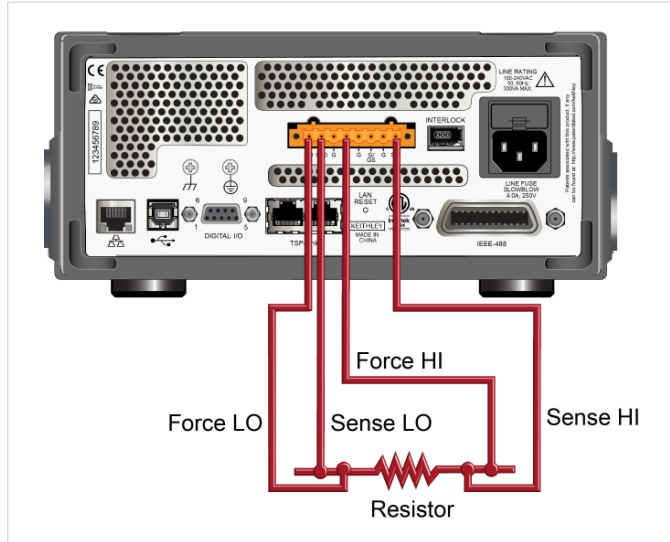


Figure 2. Model 2460 low resistance connections on rear panel

Common Sources of Error for Low Resistance Measurements

Low resistance measurements are subject to errors from a variety of sources, including lead resistance, non-ohmic contacts, and device heating.

Lead Resistance

As shown in **Figure 3**, all test leads have some level of resistance, some as high as hundreds of milliohms. This can result in an incorrect measurement if the lead resistance is high enough.

Thermoelectric Voltages

Thermoelectric EMFs or voltages are generated when different parts of a circuit are at different temperatures and when conductors made of dissimilar materials are joined together. A few microvolts can be generated by temperature gradients in the test circuit caused by fluctuating temperatures in the lab or a draft near the sensitive circuitry.

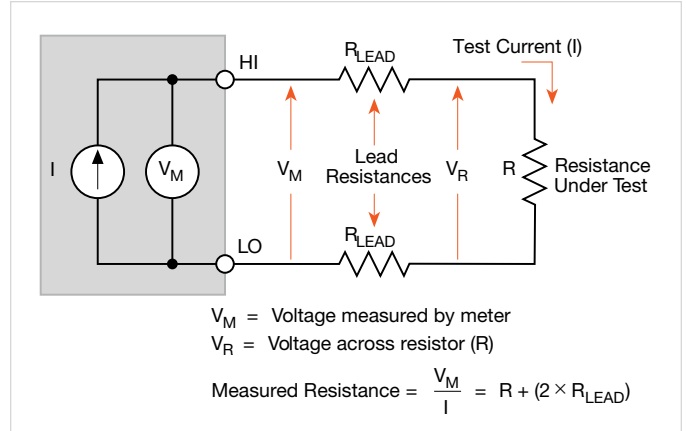


Figure 3. Two-wire resistance measurement with a SMU instrument

Non-Ohmic Contacts

Non-ohmic contacts are evident when the potential difference across the contact isn't linearly proportional to the current flowing through it. Non-ohmic contacts may occur in a low voltage circuit as a result of oxide films or other non-linear connections. To prevent non-ohmic contacts, choose an appropriate contact material, such as indium or gold. Make sure the SMU instrument's compliance/limit voltage is high enough to avoid problems due to source contact non-linearity. To reduce error due to voltmeter non-ohmic contacts, use shielding and appropriate grounding to reduce AC pickup. (Refer to the latest edition of Keithley's *Low Level Measurement Handbook* for further information on non-ohmic contacts.)

Device Heating

The test currents used for low resistance measurements are often much higher than the currents used for high resistance measurements, so power dissipation in the device can be a consideration if it is high enough to cause the device's resistance value to change. Power dissipation in a resistor is given by the formula:

$$P = I^2R.$$

From this relationship, we can see that the power dissipated in the device increases by a factor of four each time the current doubles. Therefore, one way to minimize the effects of device heating is to use the lowest current possible while still maintaining the desired voltage across the DUT. If the current level cannot be reduced, consider using a narrow current pulse rather than a DC signal.

How to Make Low Resistance, High Current Measurements Successfully

Lead Resistance and the Four-wire (Kelvin) Method

Resistance measurements are often made using the two-wire method shown in **Figure 3**. The test current is forced through the test leads and the resistance (R) being measured. The meter then measures the voltage across the resistance through the same set of test leads and computes the resistance value accordingly.

The main problem with using the two-wire method for low resistance measurements is that the total lead resistance (R_{LEAD}) is added to the measurement. Given that the test current (I) causes a small but significant voltage drop across the lead resistances, the voltage (V_M) measured by the meter won't be exactly the same as the voltage (V_R) directly across the test resistance (R), resulting in considerable error. Typical lead resistances range from 1mΩ to 10mΩ, so it's very difficult to obtain accurate two-wire resistance measurements when the resistance under test is lower than 10Ω to 100Ω (depending on lead resistance).

Due to the limitations of the two-wire method, the four-wire (Kelvin) connection method shown in **Figure 4** is generally preferred for low resistance measurements. With this configuration, the test current (I) is forced through the test resistance (R) through one set of test leads, while the voltage (V_M) across the DUT is measured through a second set of leads called sense leads. Although some small current may flow through the sense leads, it is usually negligible and can generally be ignored for all practical purposes. The voltage drop across the sense leads is negligible, so the voltage measured by the meter (V_M) is essentially the same as the voltage (V_R) across the resistance (R). Consequently, the resistance value can be determined much more accurately than with the two-wire method. Note that the voltage-sensing leads should be connected as close to the resistance under test as possible to avoid including the resistance of the test leads in the measurement.

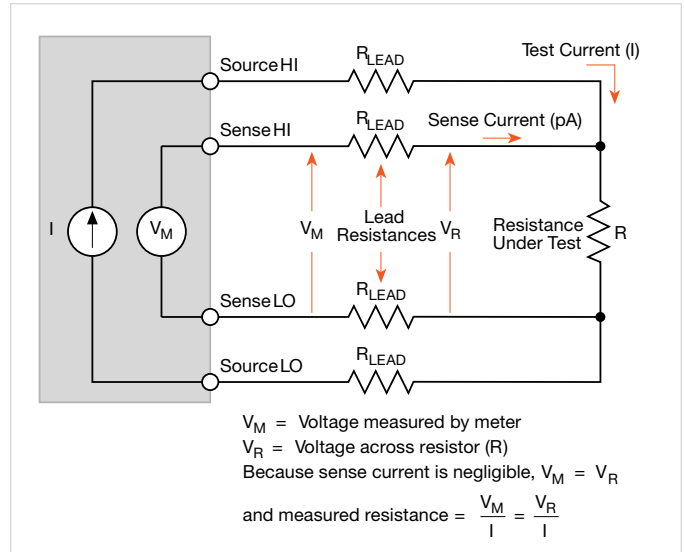


Figure 4. Four-wire resistance measurement with a SMU instrument

Thermoelectric Voltages (EMFs) and Offset-Compensated Ohms Method

The offset-compensated ohms method is a technique used to minimize thermoelectric EMFs. As shown in **Figure 5a**, the source current is applied to the resistance being measured during only part of the cycle. When the source current is on, the total voltage measured by the instrument (**Figure 5b**) includes the voltage drop across the resistor as well as any thermoelectric EMFs. During the second half of the measurement cycle, the source current is set to zero amps and the only voltage measured by the meter (**Figure 5c**) is any thermoelectric EMF present in the circuit. Given that V_{EMF} is accurately measured during the second half of the cycle, it can be subtracted from the voltage measurement made during the first half of the cycle, so the offset-compensated voltage measurement becomes:

$$V_M = V_{M1} - V_{M2}$$

$$V_M = (V_{EMF} + I_R) - V_{EMF}$$

$$V_M = I_R$$

and,

$$R = V_M / I$$

Again, note that the measurement process cancels the thermoelectric EMF term (V_{EMF}).

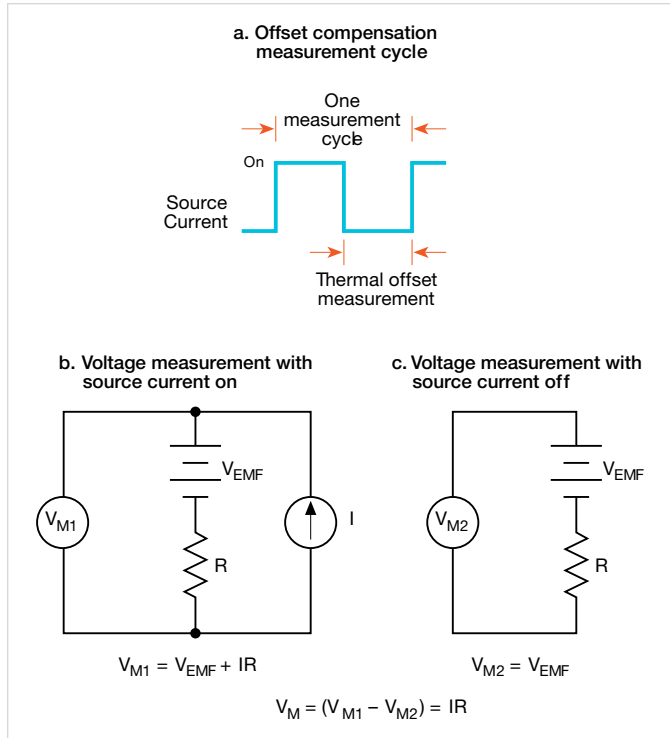


Figure 5. Offset-compensated ohms method

Instrument Limitations

Even hardware like SMU instruments that can supply DC currents as high as 7A has limits on the total amount of power it can output, which can impact the resistance value that can be measured. This limit is a function of the inherent equipment design and is typically dependent on design parameters, such as the maximum output of the power supply internal to the instrument itself, the safe operating area (SOA) of the discrete components used in the instrument, the spacing of the metal lines on the instrument's internal printed circuit board, etc. Some of these design parameters are constrained by maximum current limits, some by maximum voltage limits, and some by maximum power limits ($I \times V$).

Figure 6 shows the Model 2460's maximum DC current and power at various operating points. For example, the maximum current in the SMU power envelope is 7A (point A in the figure) and a maximum voltage of 100V (point D). The maximum power the SMU can output is 100W, which is achieved at point D (1A \times 100V). At point A, the power is lower at 49W.

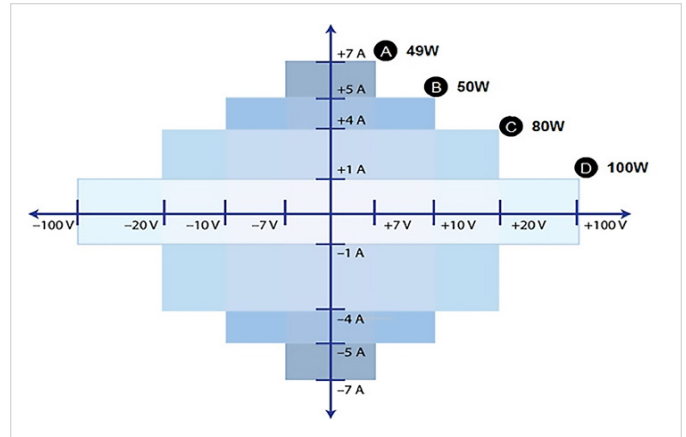


Figure 6. Model 2460 high current SMU instrument power envelope

Measuring Low Resistance Devices with the 2460 SourceMeter Instrument's High Current Capability

Low resistance measurements can be made from the front panel or over the remote interface using SCPI code or TSP code. This involves these steps:

- Reset the instrument.
- Select the source current and measure resistance function.
- Set the current source value.
- Select four-wire (remote sense) mode. This eliminates the effect of lead resistance on measurement accuracy.
- Enable offset compensation. This reduces offsets caused by thermoelectric voltages.
- Turn on the source output and start making measurements.
- Generate readings from the front panel or the remote interface.
- Turn the source output off.

Set up the measurement from the front panel

To set up the application from the front panel:

Make connections from the Model 2460 to the device under test.

1. Reset the instrument:
 - a. Press the **MENU** key.
 - b. Under System, select **Manage**.
 - c. Select **System Reset**.
 - d. Select **OK**.
2. Press the **FUNCTION** key.
3. Under Source Current and Measure, select **Resistance**.
4. Press the **HOME** key.
5. In the SOURCE CURRENT area, select the button next to Source. Select the source value.
6. Press the **MENU** key. Under Measure, select **Settings**.
7. For Sense Mode, select **4-Wire Sense**.
8. Next to Offset Comp, select **On**.
9. Press the **HOME** key.
10. Press the **OUTPUT ON/OFF** switch to enable the output and start making measurements.
11. Press the **OUTPUT ON/OFF** switch to disable the output and stop making measurements.

The instrument displays the measurements in the MEASURE VOLTAGE area of the Home screen.



Figure 7. Model 2460 Home screen front panel view

View the measurements on the front panel, TREND swipe screen, and full GRAPH screen.

Both the resistance measurement result and the current being sourced can be viewed via the front panel.

Resistance measurements can be viewed as a function of time on the TREND swipe screen. To access this screen, swipe the bottom part of the Home screen to the right. A graph similar to the one in **Figure 8** will appear.

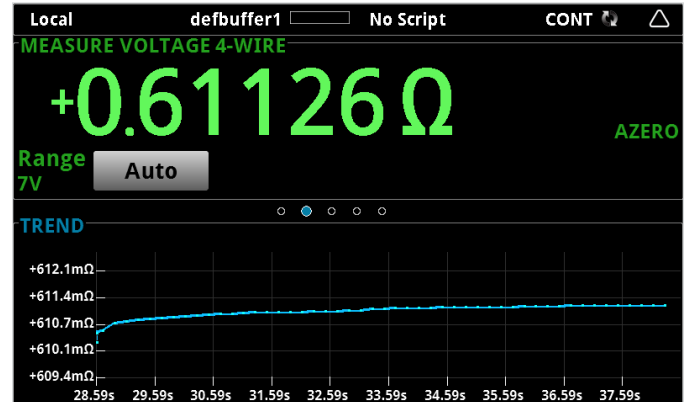


Figure 8. Model 2460 TREND swipe screen

To see the graph on the full screen, swipe up on the TREND swipe screen to open the Graph screen.

View the buffer statistics on the front panel.

The Model 2460 front-panel STATISTICS swipe screen displays a variety of measurement statistics, including:

- Buffer name
- Minimum, maximum, and average reading values
- Standard deviation



Figure 9. Model 2460 STATISTICS swipe screen

Set up the low resistance application using SCPI commands.

The following sequence of SCPI commands makes 100 low resistance measurements by sourcing current and measuring resistance. In this example, the source current magnitude and limit voltage are set automatically. Remote commands are used to change the front-panel display to display the TREND swipe screen, which allows viewing numeric data at the top of the screen and graphic data at the bottom of the screen.

Some changes may be required for this code to run in a specific programming environment. Send the following commands for this example application:

Command	Description
*RST	Reset the Model 2460.
TRIG:LOAD:LOOP:SIMP 100	Configure Simple Loop trigger model template to make 100 readings.
SENS:FUNC "RES"	Set to measure resistance.
SENS:RES:RANG:AUTO ON	Turn on auto range.
SENS:RES:OCOM ON	Enable offset compensation.
SENS:RES:RSEN ON	Set to use 4-wire sense mode.
DISP:SCR PLOT	Show the TREND swipe screen.
OUTP ON	Turn on the output.
INIT	Initiate readings.
*WAI	Wait until finished.
TRAC:DATA? 1, 100, "defbuffer1", READ, REL	Read the resistance and time values from defbuffer1.
OUTP OFF	Turn off the output.

Set up the low resistance application using TSP commands.

The following TSP code is designed to run from Keithley's Test Script Builder (TSB). TSB is a software tool available via Keithley Instruments' website. Once installed, TSB can be used to write code and develop scripts for TSP-enabled instruments. Information on how to use this tool is available in TSB's online help file and in the "Introduction to TSP operation" section of the Model 2460 Reference Manual.

To use other programming environments, it may be necessary to modify the example TSP code. By default, the Model 2460 is configured to use the SCPI command set. Always select the TSP command set before sending TSP commands to the instrument.

To enable TSP commands:

1. Press the **MENU** key.
2. Under System, select **Settings**.
3. For Command Set, select **TSP**.
4. At the prompt to reboot, select **Yes**.

This sequence of TSP commands makes 100 low resistance measurements by sourcing current and measuring resistance. In this example, the source current magnitude and limit voltage are set automatically. It uses remote commands to change the front-panel display to the TREND swipe screen. This allows viewing numerical data at the top of the screen and graphical data at the bottom of the screen. After the code executes, the data is displayed in the Instrument Console of Test Script Builder.

Send the following commands for this example application:

```
--Reset the instrument to the default settings
reset()
--Configure the Simple Loop trigger model
template to make 100 readings.
trigger.model.load("SimpleLoop", 100)
--Change the view on the front panel to the
TREND swipe screen.
display.changescreen(display.SCREEN _
PLOT _ SWIPE)
--Set to measure resistance, use 4-wire sense,
--and offset compensation.
smu.measure.func = smu.FUNC _ RESISTANCE
smu.measure.sense = smu.SENSE _ 4WIRE
smu.measure.offsetcompensation = smu.ON
--Turn on the output
smu.source.output = smu.ON
--Initiate trigger model and wait
until finished.
trigger.model.initiate()
waitcomplete()
--Turn off output
smu.source.output = smu.OFF
--Read the resistance and time values from
defbuffer1.
print("Resistance:\tTime:")
for i = 1, 100 do
print(string.format("%f\t%f", defbuffer1[i],
defbuffer1.relativetimestamps[i]))
end
```

Conclusion

The Model 2460 SourceMeter SMU Instrument is an ideal tool for characterizing high current, low resistance devices and components because of its four-quadrant design, high power output, and ability to measure both current and voltage accurately. Using a single instrument to perform such tests simplifies test setup, reduces programming time, and saves rack space.

Contact Information:

Australia* 1 800 709 465
Austria 00800 2255 4835
**Balkans, Israel, South Africa
and other ISE Countries** +41 52 675 3777
Belgium* 00800 2255 4835
Brazil +55 (11) 3759 7627
Canada 1 800 833 9200
Central East Europe / Baltics +41 52 675 3777
Central Europe / Greece +41 52 675 3777
Denmark +45 80 88 1401
Finland +41 52 675 3777
France* 00800 2255 4835
Germany* 00800 2255 4835
Hong Kong 400 820 5835
India 000 800 650 1835
Indonesia 007 803 601 5249
Italy 00800 2255 4835
Japan 81 (3) 6714 3010
Luxembourg +41 52 675 3777
Malaysia 1 800 22 55835
**Mexico, Central/South America
and Caribbean** 52 (55) 56 04 50 90
Middle East, Asia, and North Africa +41 52 675 3777
The Netherlands* 00800 2255 4835
New Zealand 0800 800 238
Norway 800 16098
People's Republic of China 400 820 5835
Philippines 1 800 1601 0077
Poland +41 52 675 3777
Portugal 80 08 12370
Republic of Korea +82 2 6917 5000
Russia / CIS +7 (495) 6647564
Singapore 800 6011 473
South Africa +41 52 675 3777
Spain* 00800 2255 4835
Sweden* 00800 2255 4835
Switzerland* 00800 2255 4835
Taiwan 886 (2) 2656 6688
Thailand 1 800 011 931
United Kingdom / Ireland* 00800 2255 4835
USA 1 800 833 9200
Vietnam 12060128

* European toll-free number. If not accessible, call: +41 52 675 3777



Find more valuable resources at TEK.COM

Copyright © Tektronix. All rights reserved. Tektronix products are covered by U.S. and foreign patents, issued and pending. Information in this publication supersedes that in all previously published material. Specification and price change privileges reserved. TEKTRONIX and TEK are registered trademarks of Tektronix, Inc. All other trade names referenced are the service marks, trademarks or registered trademarks of their respective companies.

010416.AH 1KW-60883-0

